

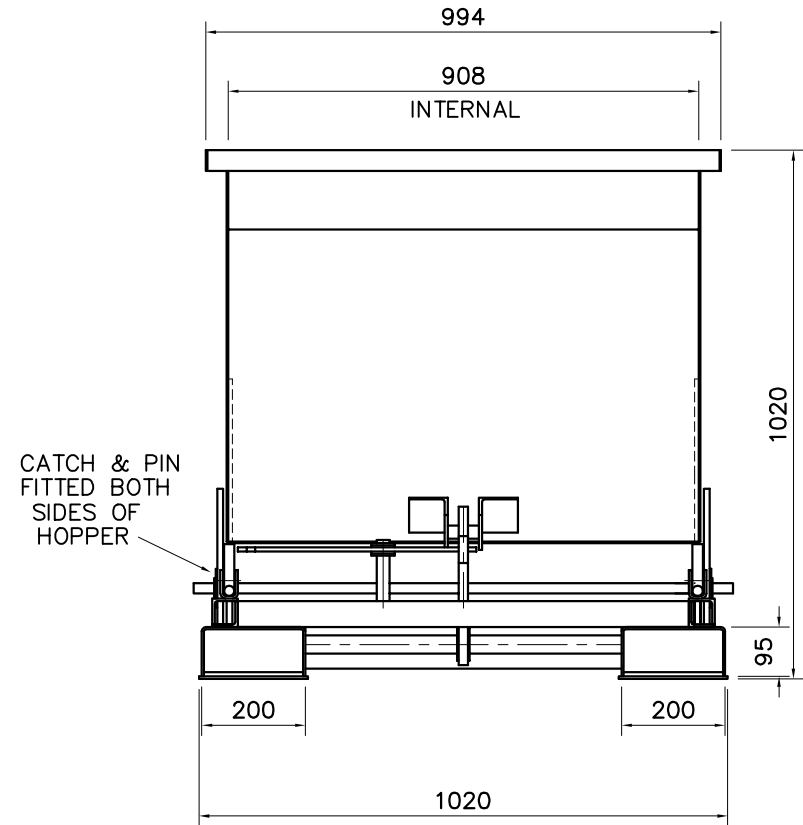
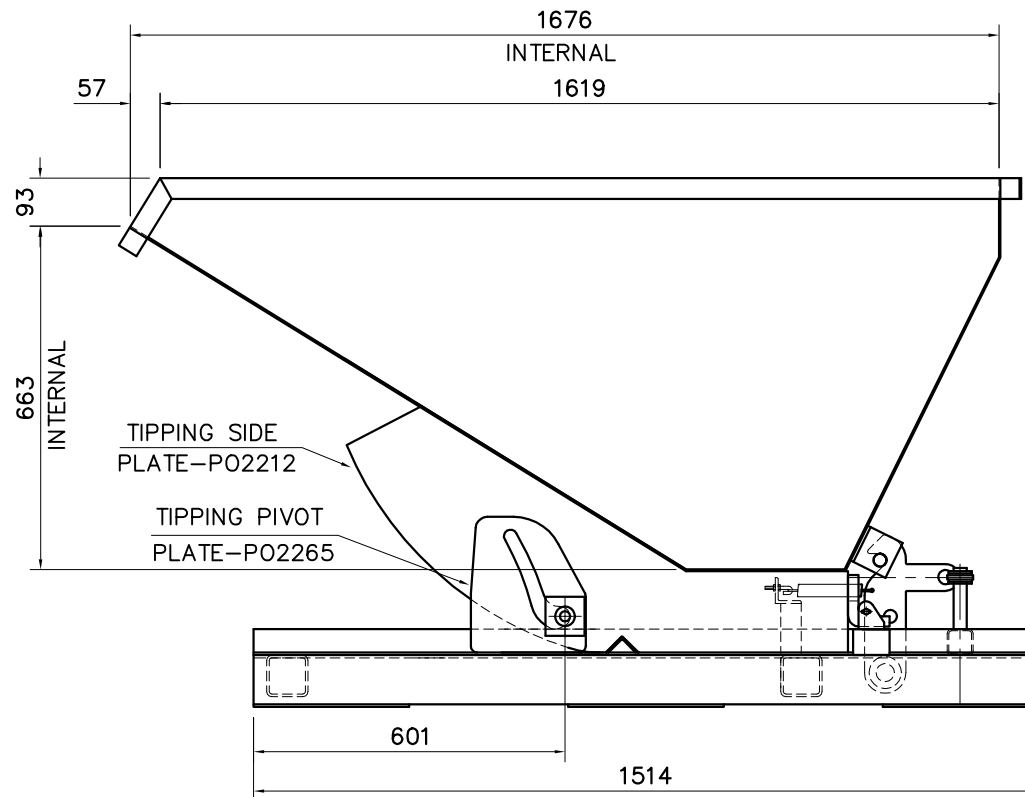
DIMENSION IN MILLIMETRES EXCEPT WHERE NOTED
OPTIONS

ITEM DESCRIPTION	DRAWING NO
PLATE DETAILS	10YTH03B
STIFFENER DETAILS	10YTH03C
SUBFRAME DETAILS	10YTH03D
TIP DETAILS	10YTH03E
LOCKING DETAILS	10YTH03F

NOTES

1) ALL PLATES TO BE FULLY WELDED, STIFFENERS TO BE STITCHED.

YES/NO	DESCRIPTION	DRG.No.
	ROPEHOOKS	THRH10A
	CASTORS	
	LIFTING LUGS	THLL02A
	PVC SHEET	THSHEET01A



F:\TIPHOP\10YTH03A



ENGINEERING LIMITED
CHADDERTON . OLDHAM
LANCASHIRE

REV.	1	2	3	4	5
DATE					
INITIAL					
ECR					
REV.	6	7	8	9	10
DATE					
INITIAL					
ECR					

QTY:

ORDER No :

DRAWING NAME :
1 CU YD FORKLIFT TIPPING HOPPER
- G.A. DRG

CLIENT :

DRG. No. : 10YTH03

SHT	REV
A	0

This drawing is the property of Sellers Engineering Ltd and must not be copied, reproduced or used for any purpose whatsoever, except that for which it is supplied without the express written consent of the company. We reserve the right to alter this drawing without notice.

SCALE 1: 10
PROJECTION

NAME	DATE
DRAWN A.K.	10/01/2000
CHECKED A.B.S.	10/01/2000