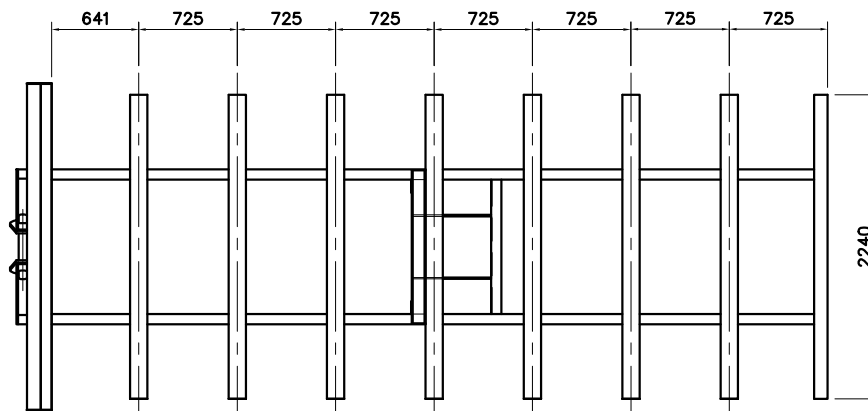
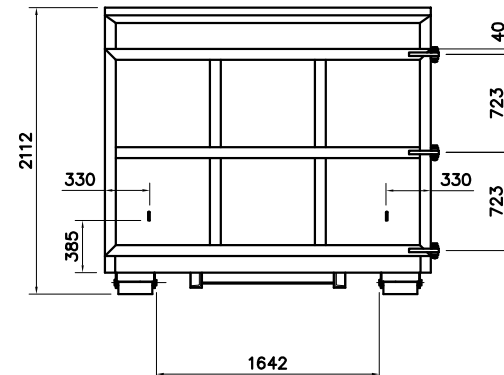
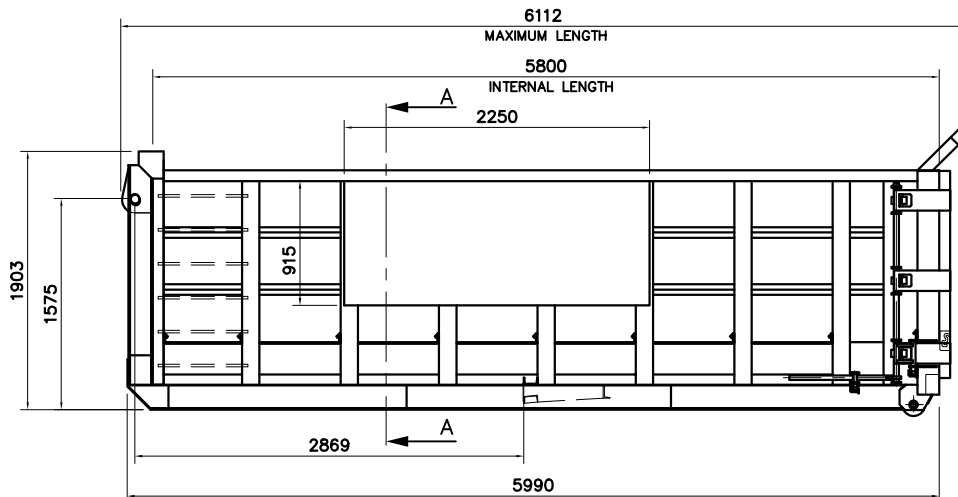
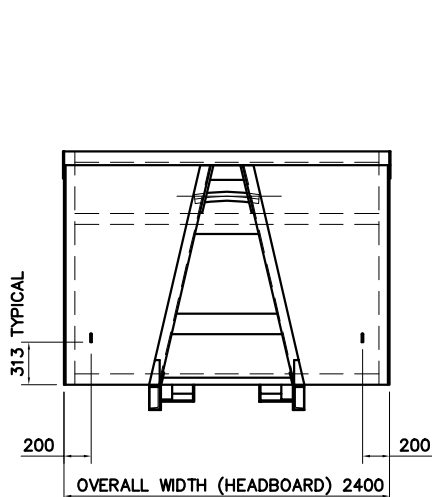
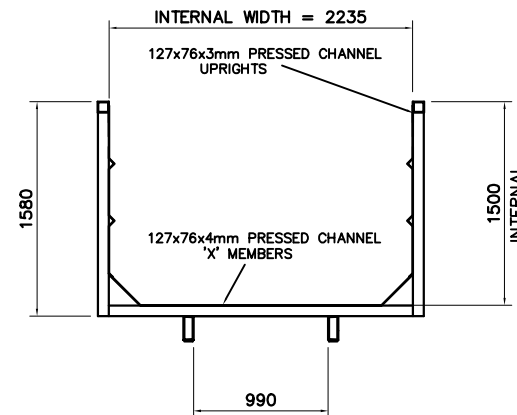


DIMENSIONS IN MILLIMETRES EXCEPT WHERE NOTED



PLAN VIEW ON 'X' MEMBERS



SECTION A-A

SUB-ASSEMBLY	DRAWING NUMBER
7 X 3 SUB FRAME	HOOK-SUB_FRM-180X75005A
HEADBOARD	HOOK-HEADBD-26YHB02A
REAR CRADLE	HOOK-REARCRD-25YCR02A
BODY	HOOK-BODY-25YBD05A
SINGLE DOOR	HOOK-REARDR-25YSI02A
SINGLE DOOR LOCKING	HOOK-LOCKING-25YLK04A
STANDARD HINGES	HOOK-HINGES-HNG1A
250 STANDARD ROLLERS	HOOK-ROLLERS-250M001A
LADDER OFFSIDE FRONT	HOOK-LADDER-25YLD02A
LABYRINTH CATCH	MISC-X9373D
SIGNBOARD	SIGN-SD303

ENGINEERING LIMITED CHADDERTON . OLDHAM LANCASHIRE	REV. 1	2	3	4	5
	DATE 14/03/2001				
	INITIAL C.H.				
	ECR C021/01				
	REV. 6	7	8	9	10
	DATE				
	INITIAL				
	ECR				

This drawing is the property of Sellers Engineering Ltd and must not be copied, reproduced or used for any purpose whatsoever, except that for which it is supplied without the express written consent of the company. We reserve the right to alter this drawing without notice.

QTY:	ORDER No :	DRAWING NAME : 25 CUYD OPEN CONTAINER HEAVY DUTY - G.A.				
SCALE 1: 27		NAME	DATE	CLIENT : IRWELL STREET METAL	SHT	REV
		DRAWN	K.R.	24/11/98	A	1
		CHECKED	A.K.	24/11/98		
		DRG. No. : U25Y008				

F:\HOOK\U25Y008A