

OPTIONS

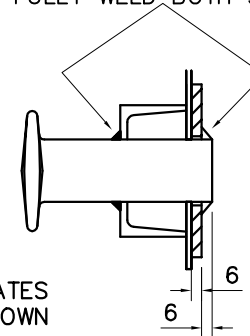
YES/NO	DESCRIPTION	DRG.No.
	DRAIN HOLES	
	SIGNWRITING	
	FULLY WELDED (IF NO, SEE NOTES)	

DIMENSION IN MILLIMETRES EXCEPT WHERE NOTED
FIXED ITEMS

DESCRIPTION	DRG.No.
PLATE DETAILS	12YSK01B
CHANNEL DETAILS	12YSK01C
TIPPING BAR	SKTIPO1A

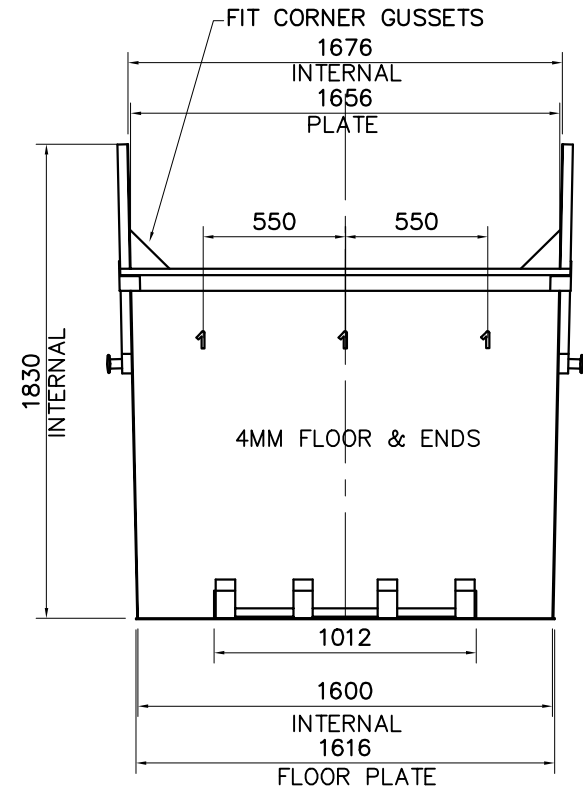
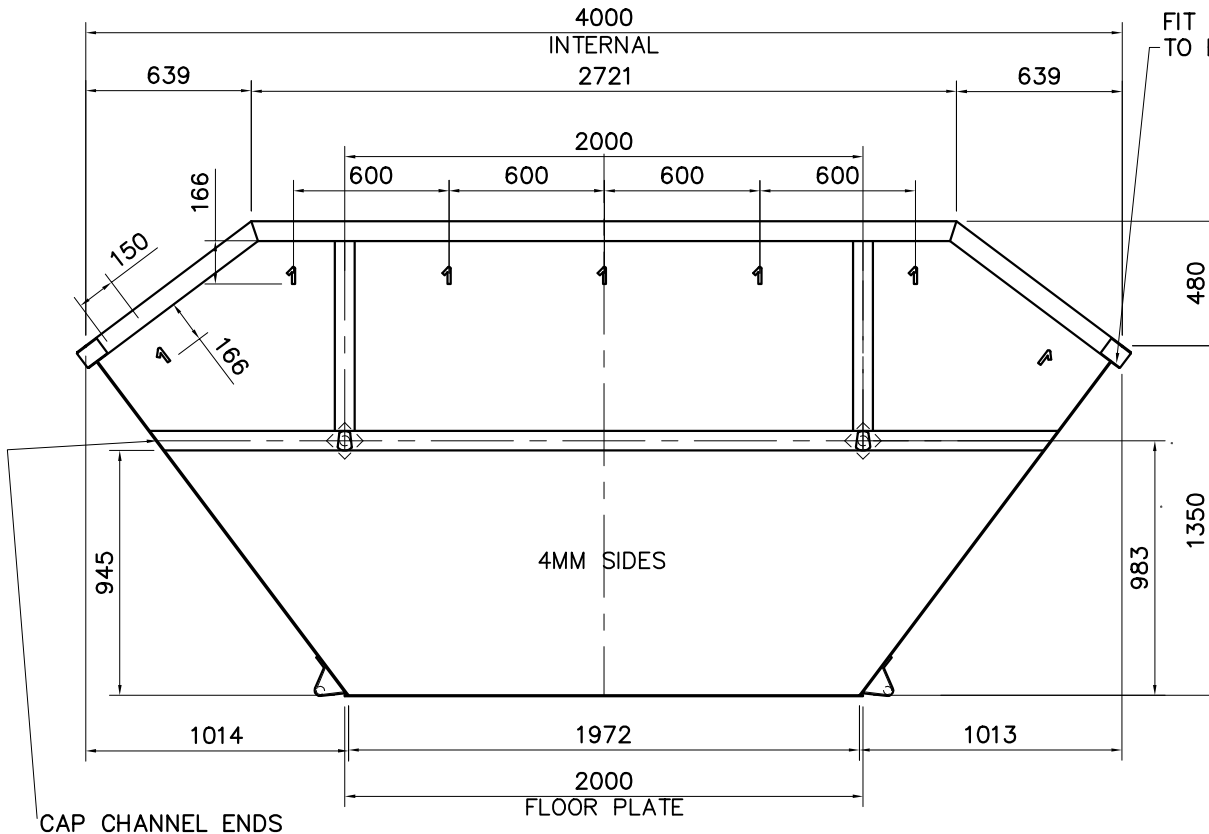
NOTES. FULLY WELD ALL PLATES INSIDE & OUT
FULLY WELD LUG CHANNELS, STITCH WELD OTHERS.

FULLY WELD BOTH SIDES



LIFTING LUG
FITTING DETAIL
SCALE 1 : 3

FIT WRAP AROUND PLATES
TO EACH JOINT AS SHOWN



F:\STD SKIPS\12YSK01A



ENGINEERING LIMITED
CHADDERTON . OLDHAM
LANCASHIRE

REV.	1	2	3	4	5
DATE	22/07/98	01/06/99			
INITIAL	PB	A.K.			
ECR	C017/98	C024/99			

QTY:

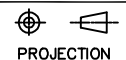
ORDER No :

DRAWING NAME :
12 CUYD BUILDERS D.E.T. SKIP

This drawing is the property of Sellers Engineering Ltd and must not be copied, reproduced or used for any purpose whatsoever, except that for which it is supplied without the express written consent of the company. We reserve the right to alter this drawing without notice.

REV.	6	7	8	9	10
DATE					
INITIAL					
ECR					

SCALE 1: 20



NAME	DATE
DRAWN	C.D. 11/07/1997
CHECKED	A.K. 11/07/1997

CLIENT :
DRG. No. : 12YSK01

SHT	REV
A	2