

DIMENSION IN MILLIMETRES EXCEPT WHERE NOTED  
FIXED ITEMS

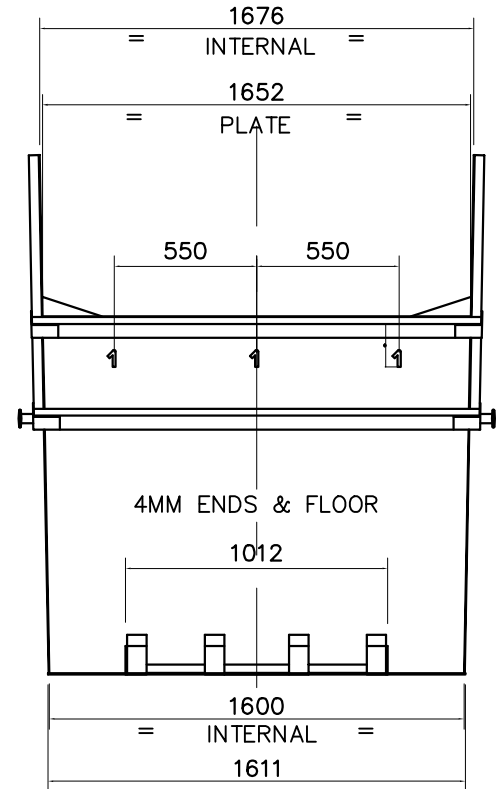
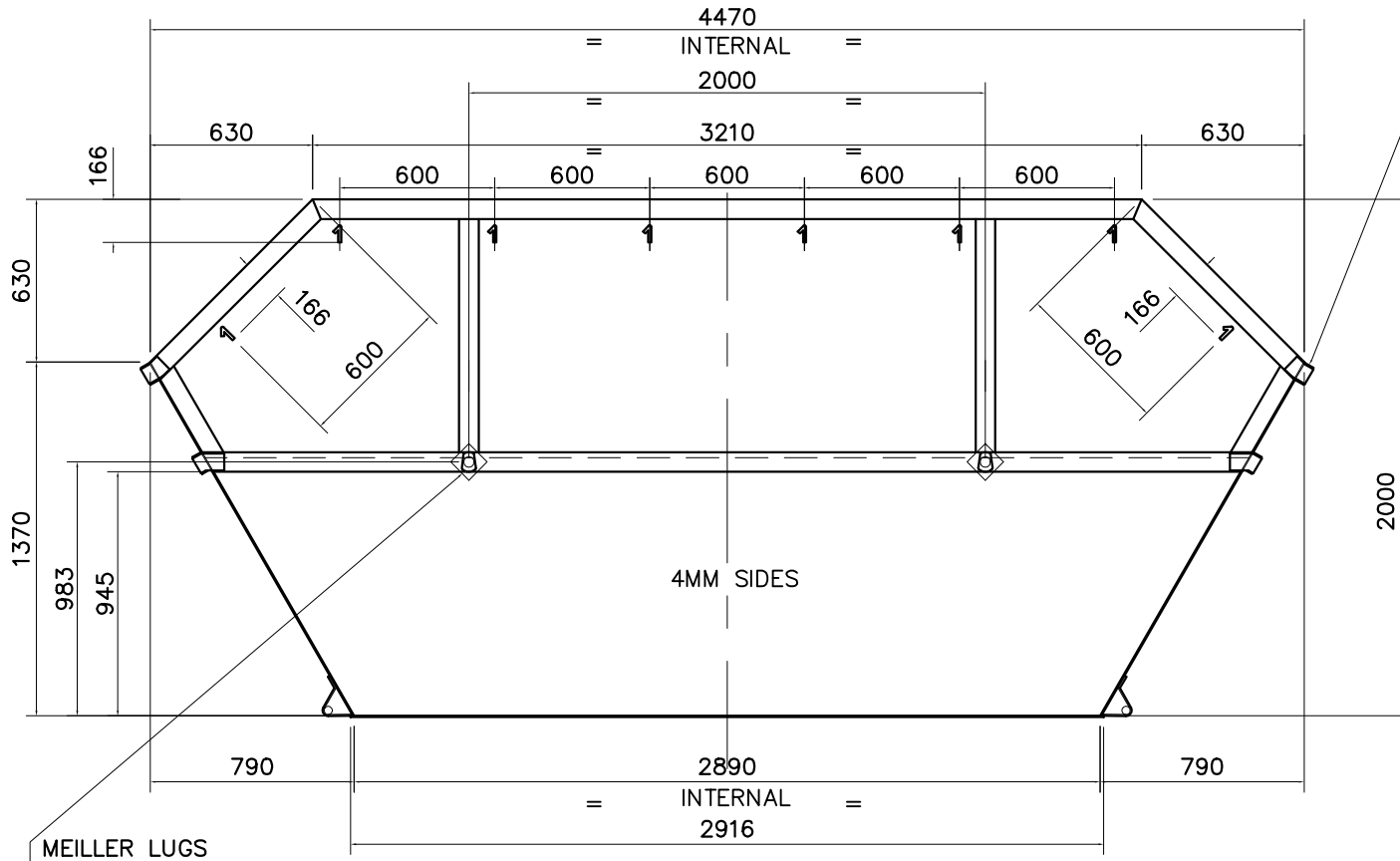
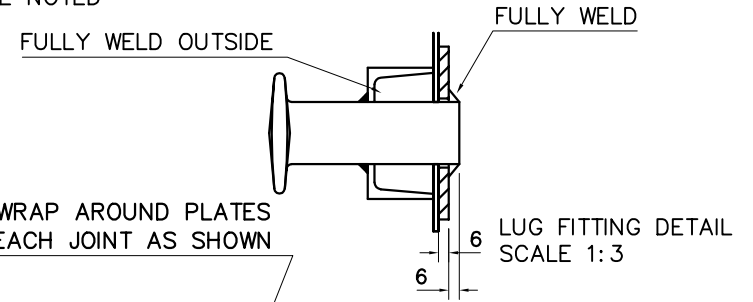
OPTIONS

YES/NO	DESCRIPTION	DRG.No.
	DRAIN HOLES	
	SIGNWRITING	
	FULLY WELDED (IF NO, SEE NOTES)	

DESCRIPTION	DRG.No.
PLATE DETAILS	16YSK01B
CHANNEL DETAILS	16YSK01C
TIPPING BAR	SKTIP01A

NOTES. FULLY WELD ALL PLATES INSIDE & OUT  
FULLY WELD LUG CHANNELS, STITCH WELD OTHERS.

FIT WRAP AROUND PLATES  
TO EACH JOINT AS SHOWN



F:\STDSKIPS\16YSK01A



ENGINEERING LIMITED  
CHADDERTON . OLDHAM  
LANCASHIRE

REV.	1	2	3	4	5
DATE	08/01/2002	14/04/2003			
INITIAL	C.H.	C.H.			
ECR	C002/02	C023/03			
REV.	6	7	8	9	10
DATE					
INITIAL					
ECR					

QTY:

ORDER No :

DRAWING NAME :  
16 CUYD BUILDERS D.E.T. SKIP  
4MM PLATE

This drawing is the property of Sellers Engineering Ltd and must not be copied, reproduced or used for any purpose whatsoever, except that for which it is supplied without the express written consent of the company. We reserve the right to alter this drawing without notice.

REV.	6	7	8	9	10
DATE					
INITIAL					
ECR					

SCALE 1: 20

DATE DATE

CLIENT :

SHT REV

PROJECTION

DRAWN CD 16/07/1997  
CHECKED A.K. 16/07/1997

DRG. No. : 16YSK01

A 2