

DIMENSION IN MILLIMETRES EXCEPT WHERE NOTED

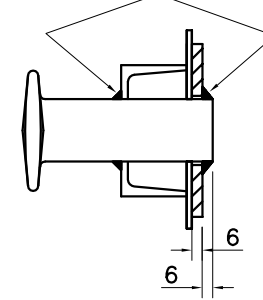
OPTIONS

YES/NO	DESCRIPTION	DRG.No.
	DRAIN HOLES	
	SIGNWRITING	
	FULLY WELDED (IF NO, SEE NOTES)	

FIXED ITEMS

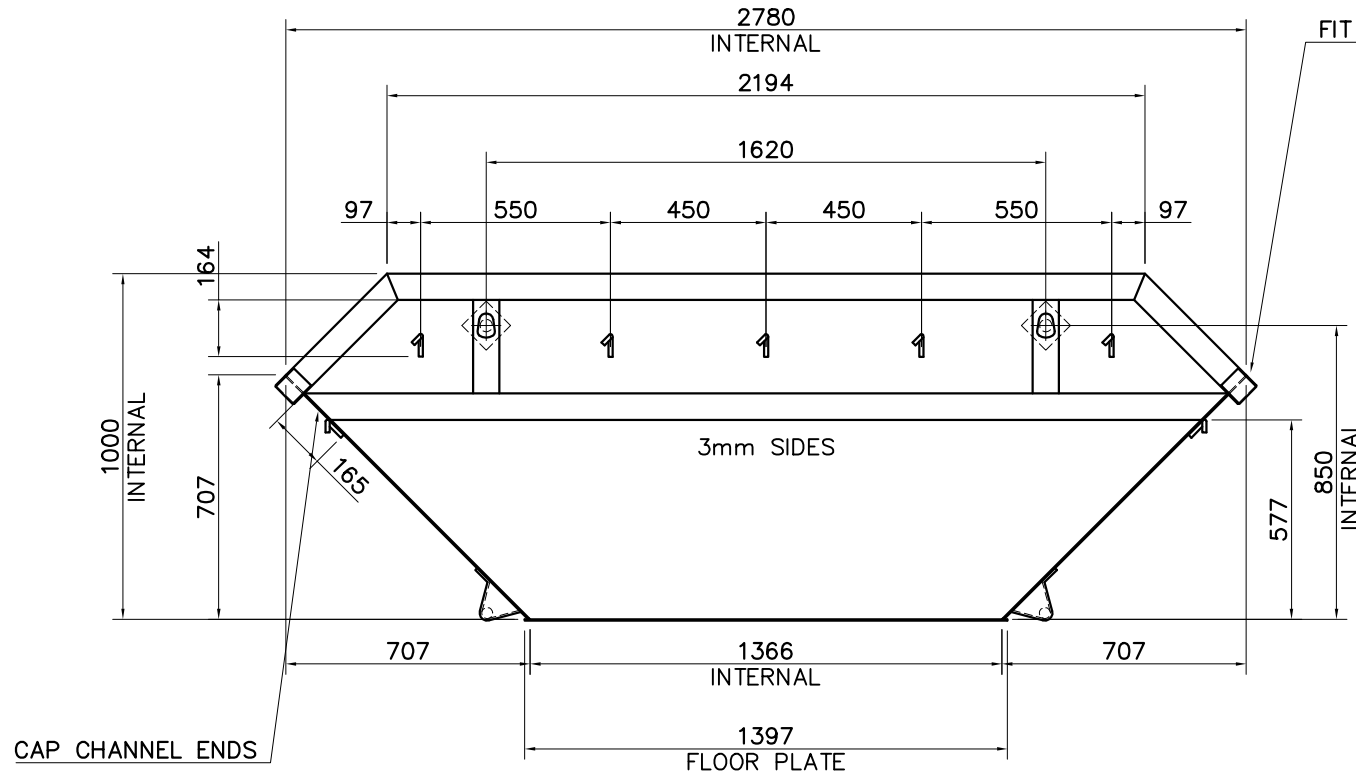
DESCRIPTION	DRG.No.
PLATE DETAILS	04YSK01B
CHANNEL DETAILS	04YSK01C
TIPPING BAR	SKTIP01A

FULLY WELD BOTH SIDES



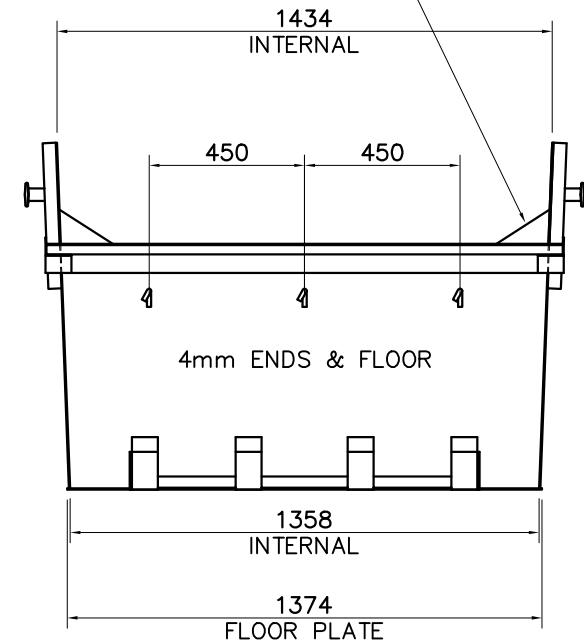
LUG FITTING DETAIL  
SCALE 1 : 3

NOTES. FULLY WELD ALL PLATES INSIDE & OUT  
FULLY WELD LUG CHANNELS & TOP OF MID HORIZONTAL CHANNEL  
STICH WELD OTHERS



FIT WRAP AROUND PLATES

FIT PYRAMID GUSSETS  
TO ALL CORNERS



F:\STDSKIPS\04YSK01A



ENGINEERING LIMITED  
CHADDERTON . OLDHAM  
LANCASHIRE

REV.	1	2	3	4	5
DATE	09/04/99				
INITIAL	A.K.				
ECR	C017/99				

QTY:

ORDER No :

DRAWING NAME :  
4 CUYD BUILDERS D.E.T SKIP

This drawing is the property of Sellers Engineering Ltd and must not be copied, reproduced or used for any purpose whatsoever, except that for which it is supplied without the express written consent of the company. We reserve the right to alter this drawing without notice.

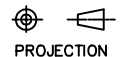
REV.	6	7	8	9	10
DATE					
INITIAL					
ECR					

SCALE 1: 15

DATE DATE

CLIENT :

SHT REV



DRAWN	AB	28\11\97
CHECKED	A.K.	28\11\97

DRG. No. : 04YSK01

A 1