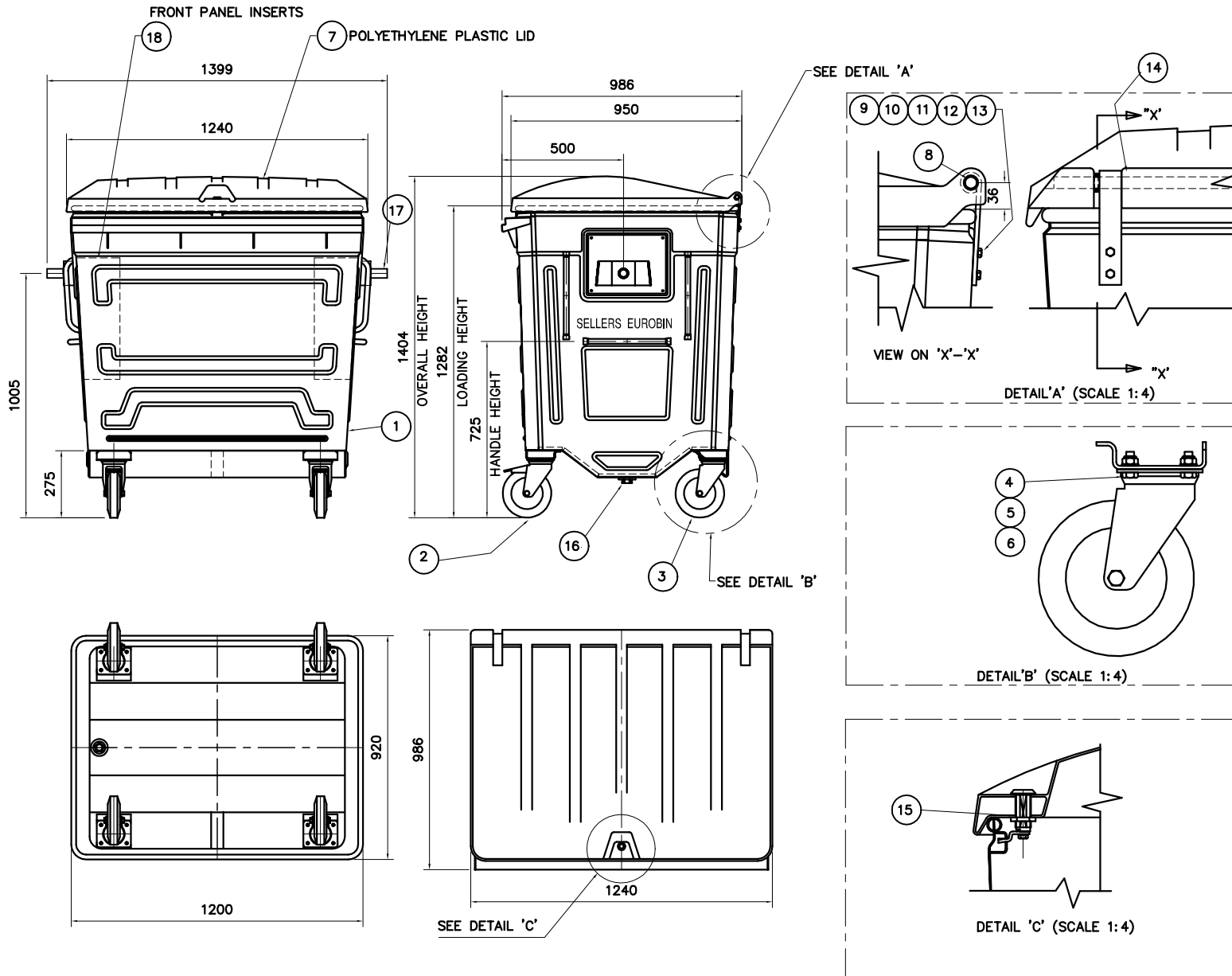


DIMENSIONS IN MILLIMETRES EXCEPT WHERE NOTED



ITEM No.	DESCRIPTION	DRG/PART No.	QTY
1	WELDED ASSEMBLY	1100SA51A	1
2	CASTOR FRONT-SWL&BRKD	525206	2
3	CASTOR REAR - SWIVEL	524406	2
4	M10 X 25 HEX HD BOLT	ZINC PLATED	16
5	M10 PLAIN WASHER	ZINC PLATED	16
6	M10 LOCKNUT	ZINC PLATED	16
7	LID (CONTAINER COMPONENTS)	ME4937D	1
8	HINGE BAR	1100DT05A	1
9	HINGE	1100DT30A	2
10	HINGE BACKING PLATE	1100DT19A	2
11	M6 X 25LG HEX. HD. SCREW	ZINC PLATED	4
12	M6 PLAIN WASHER	ZINC PLATED	4
13	M6 LOCKNUT	ZINC PLATED	4
14	SELOC PIN 5 DIA X 26LG.	NATURAL	2
15	LID LOCK SUB-ASSY	1100SA52	1
16	DRAIN PLUG	PLASTIC	1
17	DIN LIFT SUB-ASSEMBLY	1100SA36A	2
18	FRONT PANEL INSERTS	1100DT124A	2

**SELLERS**

ENGINEERING LIMITED  
CHADDERTON . OLDHAM  
LANCASHIRE

REV.	1	2	3	4	5
DATE					
INITIAL					
ECR					
REV.	6	7	8	9	10
DATE					
INITIAL					
ECR					

This drawing is the property of Sellers Engineering Ltd and must not be copied, reproduced or used for any purpose whatsoever, except that for which it is supplied without the express written consent of the company. We reserve the right to alter this drawing without notice.

QTY:	ORDER No :	DRAWING NAME :		SHT	REV
SCALE 1: 12		EUROBIN 1100 - MARK 2 - WITH COMBLIFT & DINLIFTS GENERAL ASSEMBLY		A	0
PROJECTION	NAME	DATE	CLIENT :		
	DRAWN	T.N.	20/07/07		
	CHECKED	A.K.	20/07/07		
	DRG. No. : 1100GA50				

F:\EUROBIN\1100GA50A