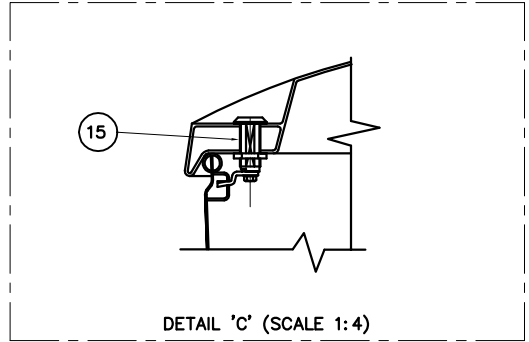
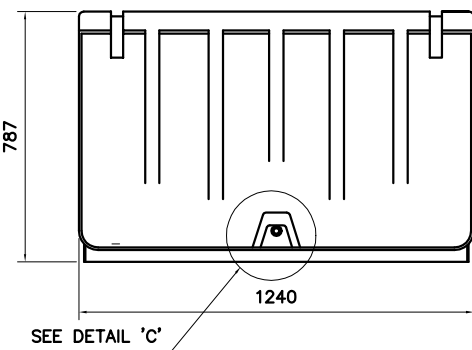
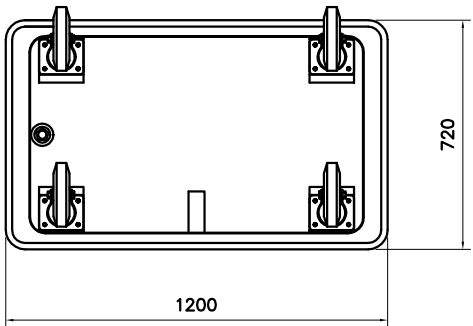
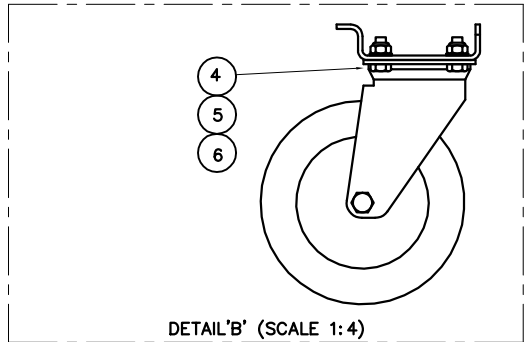
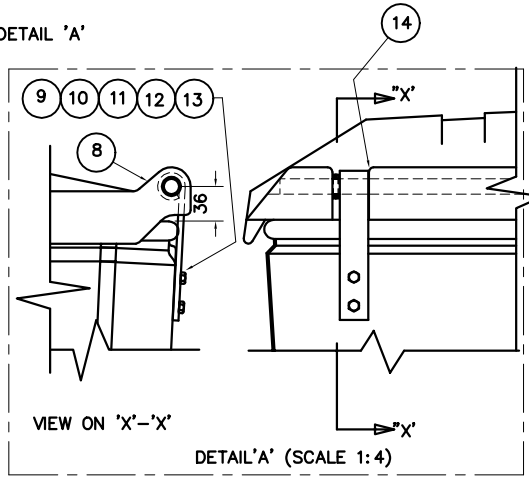
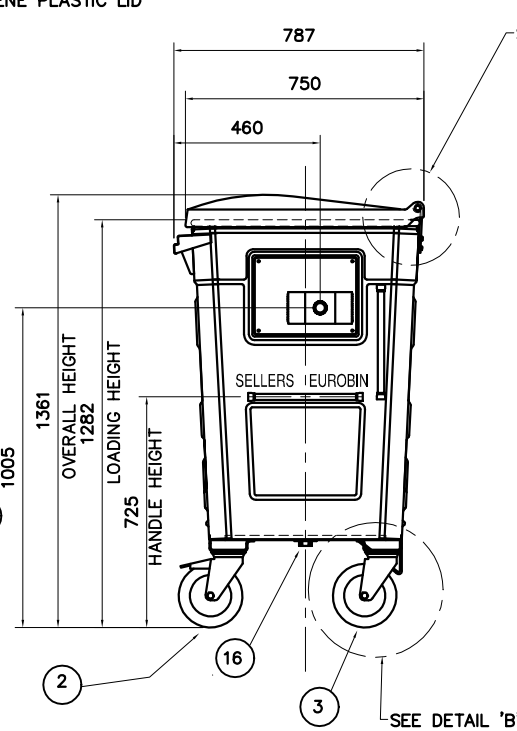
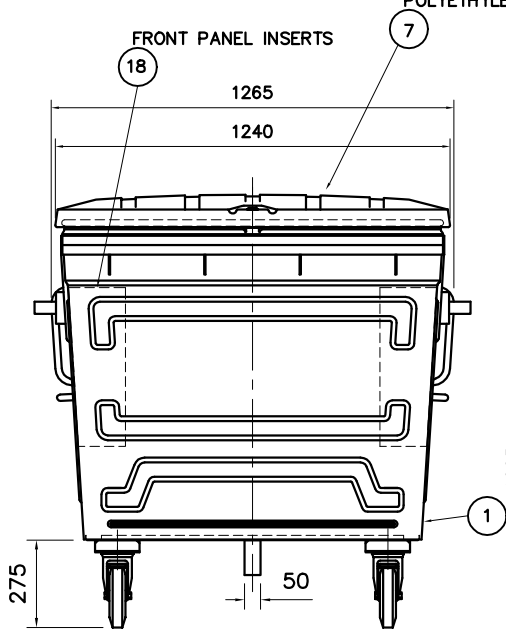


POLYETHYLENE PLASTIC LID

DIMENSIONS IN MILLIMETRES EXCEPT WHERE NOTED



ITEM No.	DESCRIPTION	DRG/PART No.	QTY
1	WELDED ASSEMBLY	770SA01A	1
2	CASTOR FRONT-SWL&BRKD	525206	2
3	CASTOR REAR - SWIVEL	524406	2
4	M10 X 25 HEX HD BOLT	ZINC PLATED	16
5	M10 PLAIN WASHER	ZINC PLATED	16
6	M10 LOCKNUT	ZINC PLATED	16
7	LID (CONTAINER COMPONENTS)	ME4929D	1
8	HINGE BAR	1100DT05A	1
9	HINGE	1100DT30A	2
10	HINGE BACKING PLATE	1100DT19A	2
11	M6 X 25LG HEX. HD. SCREW	ZINC PLATED	4
12	M6 PLAIN WASHER	ZINC PLATED	4
13	M6 LOCKNUT	ZINC PLATED	4
14	SELOC PIN 5 DIA X 26LG.	NATURAL	2
15	LID LOCK SUB-ASSY	1100SA52	1
16	DRAIN PLUG	PLASTIC	1
17	DIN LIFT SUB-ASSEMBLY	770SA03A	1
18	FRONT PANEL INSERTS	1100DDT124	2

SELLERS	ENGINEERING LIMITED	REV. 1	2	3	4	5
	CHADDERTON . OLDHAM	DATE 20/04/06				
	LANCASHIRE	INITIAL A.K.				
		ECR C008/06				
		REV. 6	7	8	9	10
		DATE				
		INITIAL				
		ECR				

QTY:	ORDER No :	DRAWING NAME :		
		EUROBIN 770 - MARK 2 - WITH COMBLIFT AND DINLIFT - G.A. DRAWING		
SCALE 1: 12	NAME	DATE	CLIENT :	SHT REV
PROJECTION	DRAWN C.H.	05/02/2002		A 1
	CHECKED A.B.S.	05/02/2002	DRG. No. : 770GA02	

F:\EUROBIN\770GA02A

This drawing is the property of Sellers Engineering Ltd and must not be copied, reproduced or used for any purpose whatsoever, except that for which it is supplied without the express written consent of the company. We reserve the right to alter this drawing without notice.