

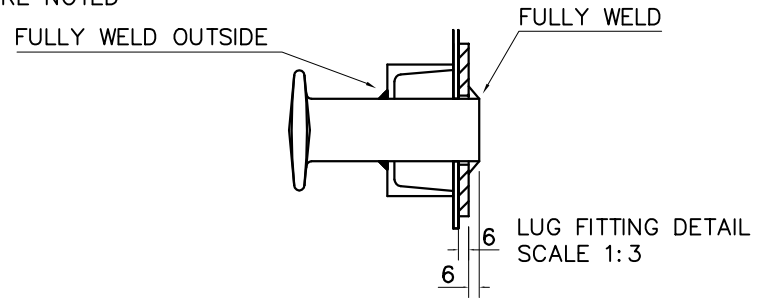
DIMENSION IN MILLIMETRES EXCEPT WHERE NOTED
FIXED ITEMS

OPTIONS

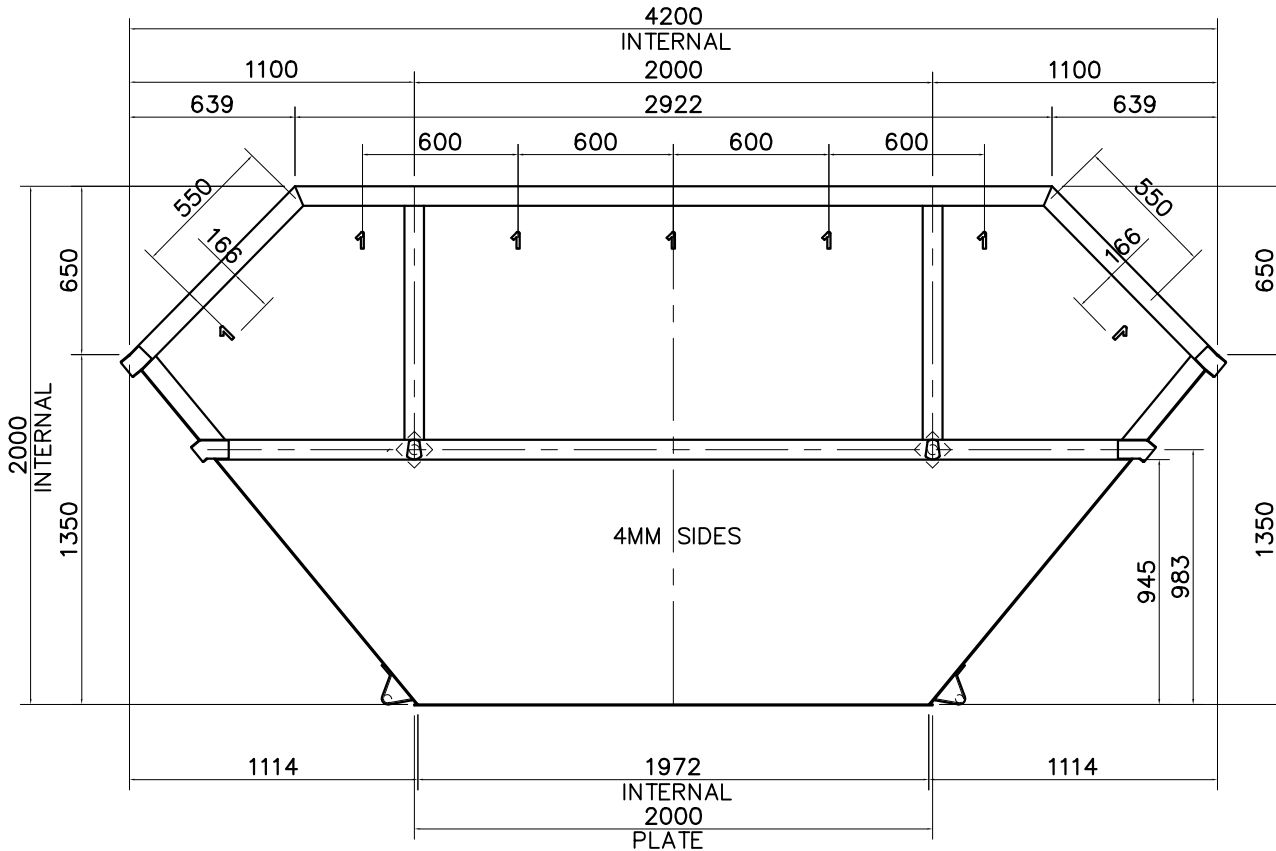
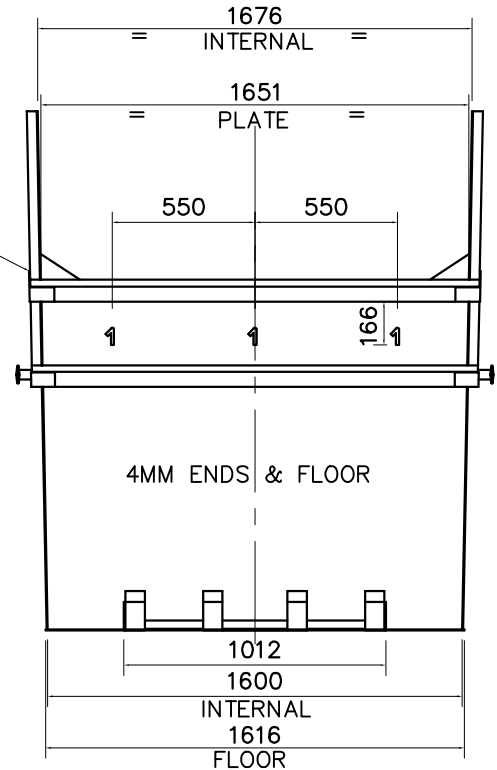
YES/NO	DESCRIPTION	DRG.No.
	DRAIN HOLES	
	SIGNWRITING	
	FULLY WELDED (IF NO, SEE NOTES)	

DESCRIPTION	DRG.No.
PLATE DETAILS	14YSK01B
CHANNEL DETAILS	14YSK01C
TIPPING BAR	SKTIP01A

NOTES. FULLY WELD ALL PLATES INSIDE & OUT
FULLY WELD LUG CHANNELS, STITCH WELD OTHERS.



FIT WRAP AROUND PLATES
AND CORNER PYRAMID GUSSETS



F:\STDSKIPS\14YSK01A



ENGINEERING LIMITED
CHADDERTON . OLDHAM
LANCASHIRE

REV.	1	2	3	4	5
DATE	05/06/99				
INITIAL	A.K.				
ECR	C027/99				

QTY:

ORDER No :

DRAWING NAME :
14 CUYD BUILDERS D.E.T. SKIP

This drawing is the property of Sellers Engineering Ltd and must not be copied, reproduced or used for any purpose whatsoever, except that for which it is supplied without the express written consent of the company. We reserve the right to alter this drawing without notice.

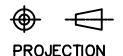
REV.	6	7	8	9	10
DATE					
INITIAL					
ECR					

SCALE 1: 20

DATE DATE

CLIENT :

SHT REV



DRAWN	CD	15\07\97
CHECKED	A.K.	15\07\97

DRG. No. : 14YSK01

A 1