

DIMENSION IN MILLIMETRES EXCEPT WHERE NOTED

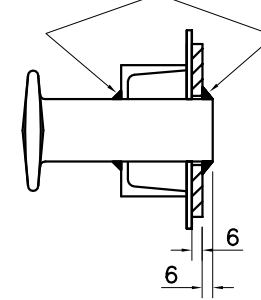
OPTIONS

YES/NO	DESCRIPTION	DRG.No.
	DRAIN HOLES	
	SIGNWRITING	
	FULLY WELDED (IF NO, SEE NOTES)	

FIXED ITEMS

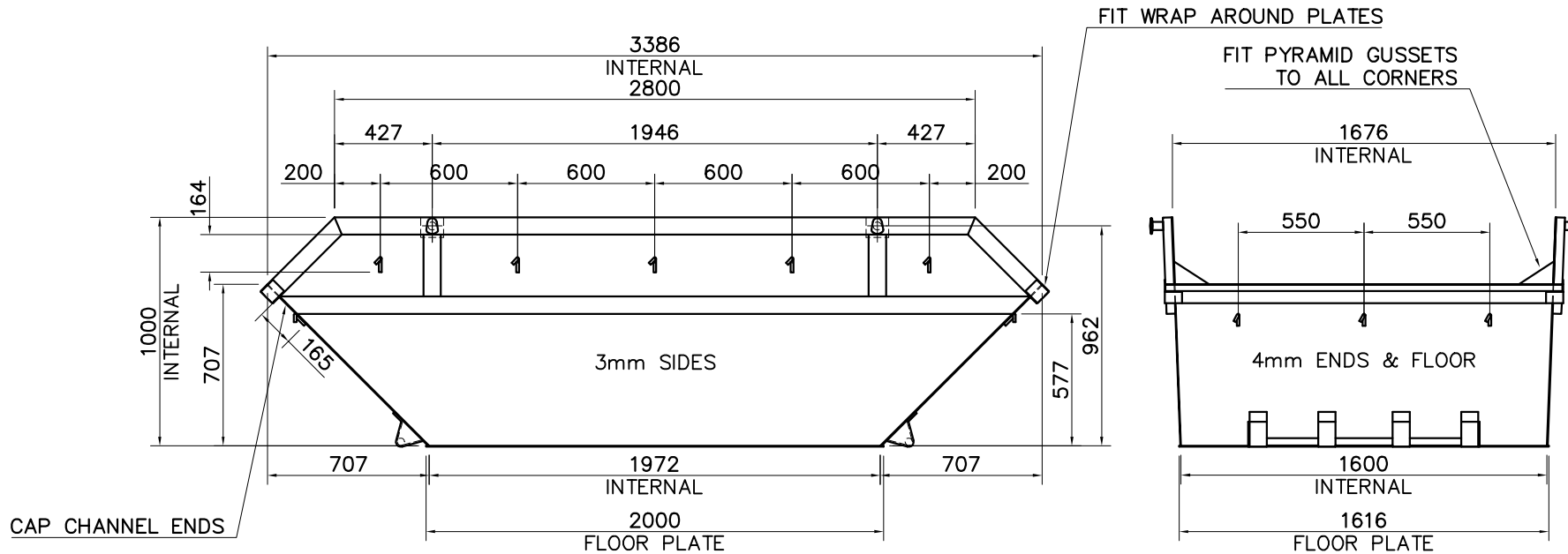
DESCRIPTION	DRG.No.
PLATE DETAILS	06YSK01B
CHANNEL DETAILS	06YSK01C
TIPPING BAR	SKTIP01A

FULLY WELD BOTH SIDES



LUG FITTING DETAIL
SCALE 1 : 3

NOTES. FULLY WELD ALL PLATES INSIDE & OUT
FULLY WELD LUG CHANNELS & TOP OF MID HORIZONTAL CHANNEL
STICH WELD OTHERS



F:\STDSKIPS\06YSK01A

	ENGINEERING LIMITED CHADDERTON . OLDHAM LANCASHIRE	REV. 1	2	3	4	5	QTY:	ORDER No :	DRAWING NAME :		SHT	REV
			DATE 12/05/99									
This drawing is the property of Sellers Engineering Ltd and must not be copied, reproduced or used for any purpose whatsoever, except that for which it is supplied without the express written consent of the company. We reserve the right to alter this drawing without notice.		INITIAL A.K.					SCALE 1: 20	DATE	DATE	CLIENT :	A	1
		ECR C017/99					PROJECTION	DRAWN AB	28\11\97	DRG. No. : 06YSK01		
		REV. 6	7	8	9	10		CHECKED	A.K.	28\11\97		
		DATE										